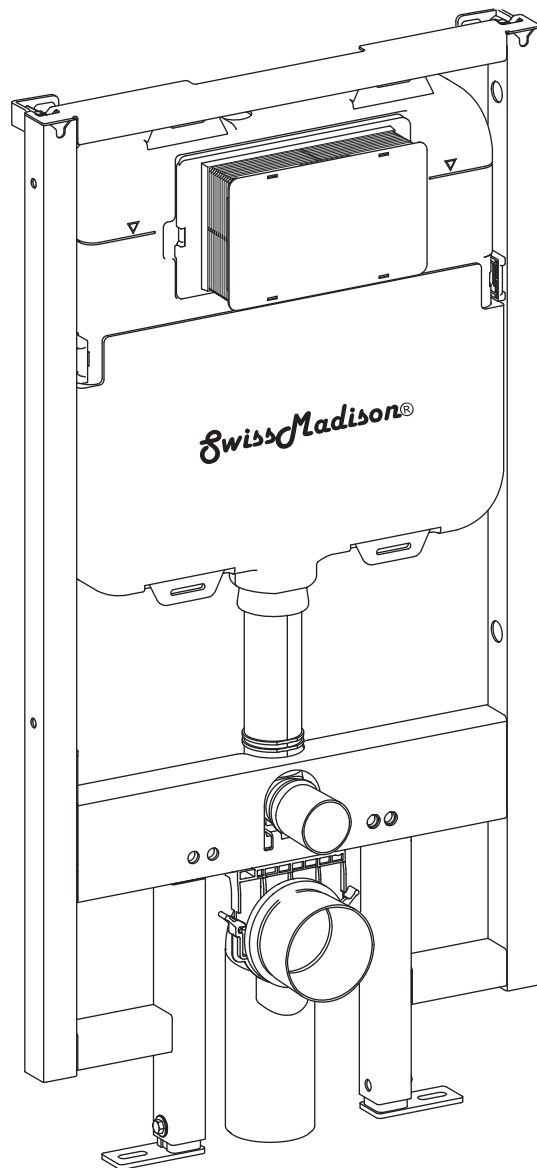


# INSTALLATION INSTRUCTIONS

*Swiss Madison*<sup>®</sup>  
well made forever

## Wall Hung Concealed Tank System SM-WC424



Share your pictures for a feature!  
using **#SwissMadison**





## Prior to Installation:

- Read instructions thoroughly.
- Remove existing toilet.
- Be sure to properly bleed all air from the piping system, trapped air can cause damage to the flushing system and toilet bowl.
- Observe all local plumbing codes.
- Additional floor and wall preparations may be necessary to avoid damage to the product
- We recommend a professional contractor. Customer is responsible for any damage that may occur during installation.
- Swiss Madison recommends using a cement board or tile backer board for the walboard backing, avoid gypsum board as it may compromise the load strength of the toilet installation.

**General Recommendations:** Read installation and maintenance instructions thoroughly before installation. Be sure to use proper tools and always wear proper personal safety accessories for your protection.

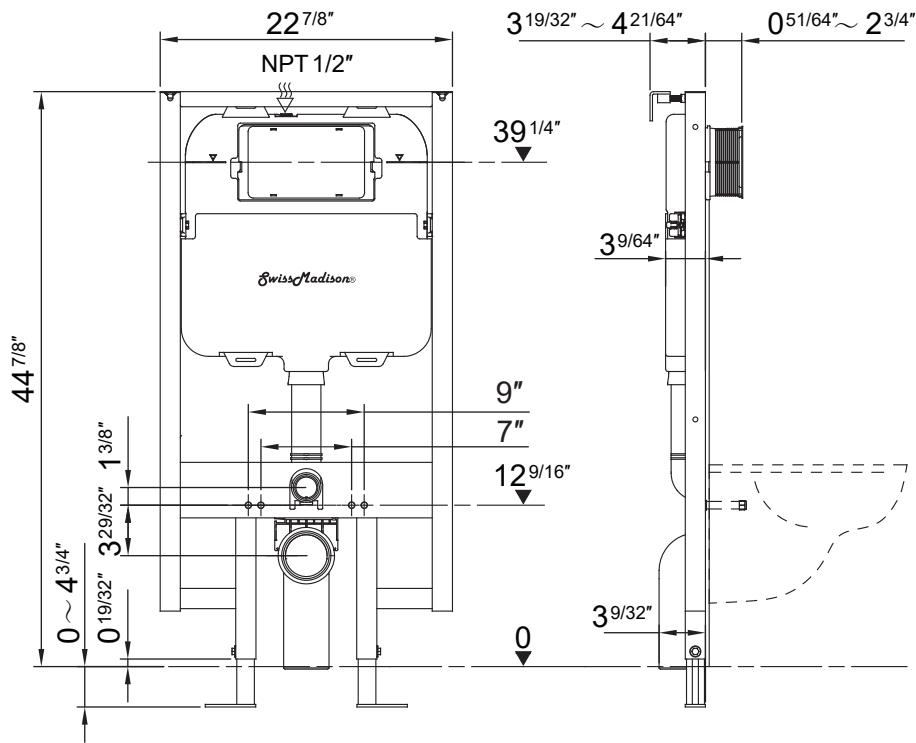
**If you have any questions or concerns please contact us:**

1-434-623-4766  
info@swissmadison.com

The step-by-step guidelines in the installation instructions are a general reference for installing a Swiss Madison Concealed Tank System. Should there be any discrepancies, Swiss Madison cannot be held liable. It is recommended to install all Swiss Madison products by hiring a licensed professional



1. Read the complete instruction manual before beginning installation.
2. Confirm that your model will fit in intended location and plumbing fixtures are located where legally required before beginning installation.
3. Not all drawings on this manual are drawn to scale. Please refer to the model chart.
4. Two people are recommended to install and move this product.
5. The steps depicted in this manual are based on having a cement board or a tile backer board.



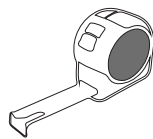
## SUGGESTED TOOLS AND MATERIALS



Safety Goggles



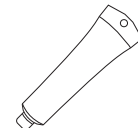
Pencil



Tape Measure



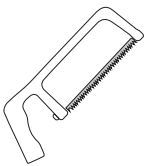
Wrench



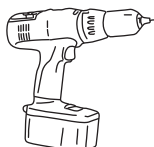
Plumbers Grease



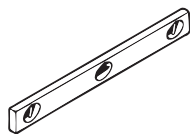
Scissors



Hacksaw



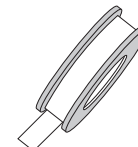
Drill



Level



Flat File



Plumbers Tape

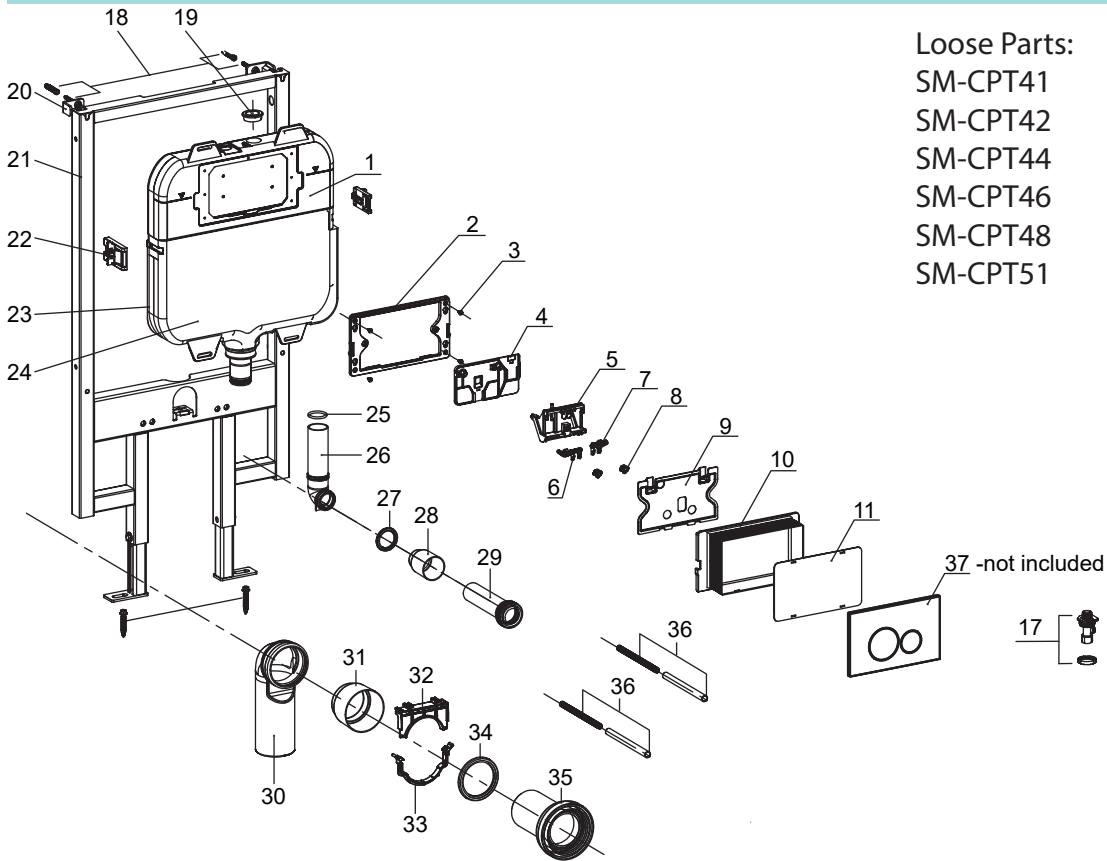


Coupler  
not included

**NOTE:** Specialized tools may be necessary to install a Swiss Madison Concealed Tank.

# CONCEALED TANK SYSTEM

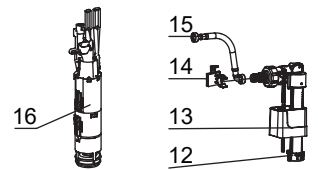
# INSTALLATION



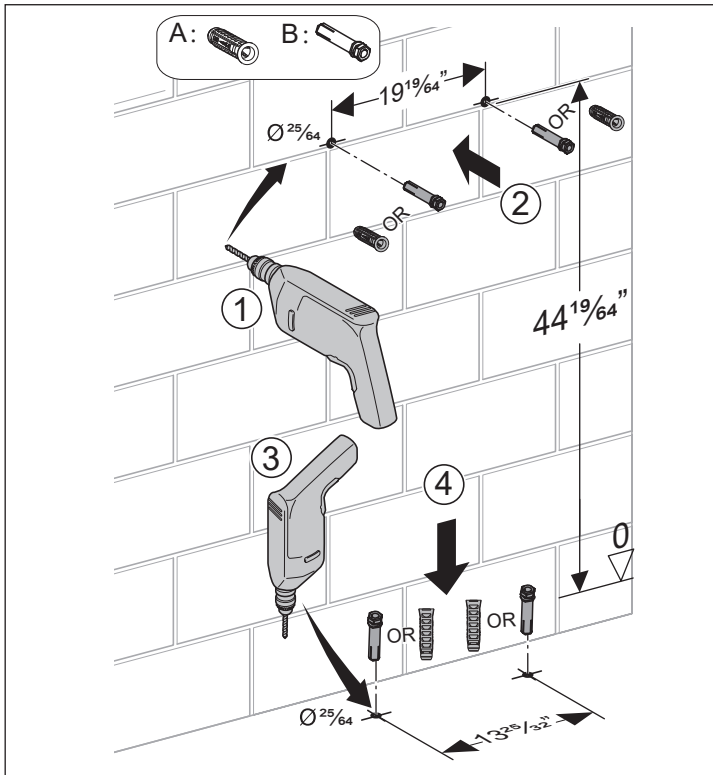
**Loose Parts:**

- SM-CPT41
- SM-CPT42
- SM-CPT44
- SM-CPT46
- SM-CPT48
- SM-CPT51

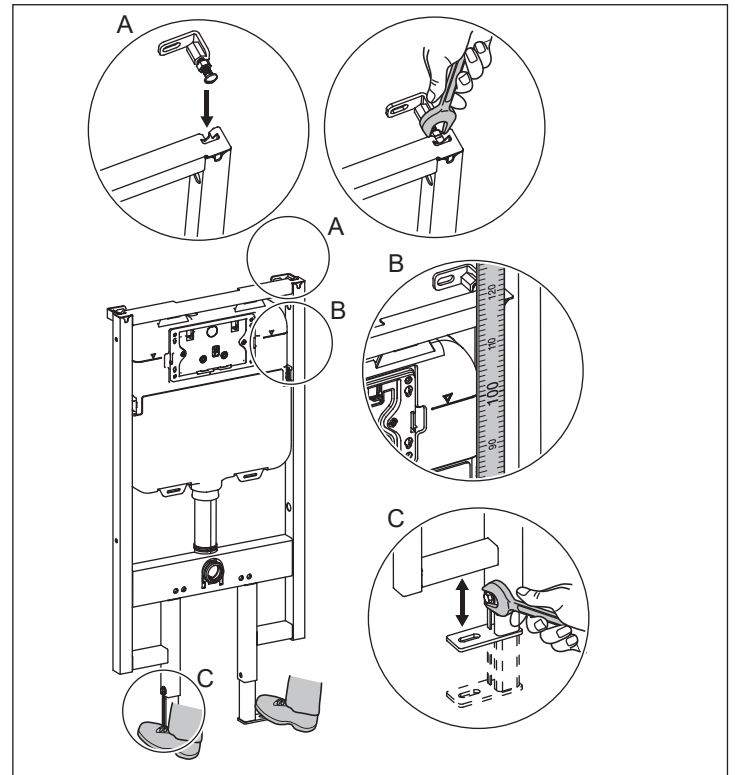
- Discharge pipe 2x4
- Pipes inlet/outlet 2x4
- 4 Pcs bolts 2x4
- Mounting box 2x4
- Thread bolt 2x4
- Actuator plastic pins
- Cut-out template
- Coupler- not included



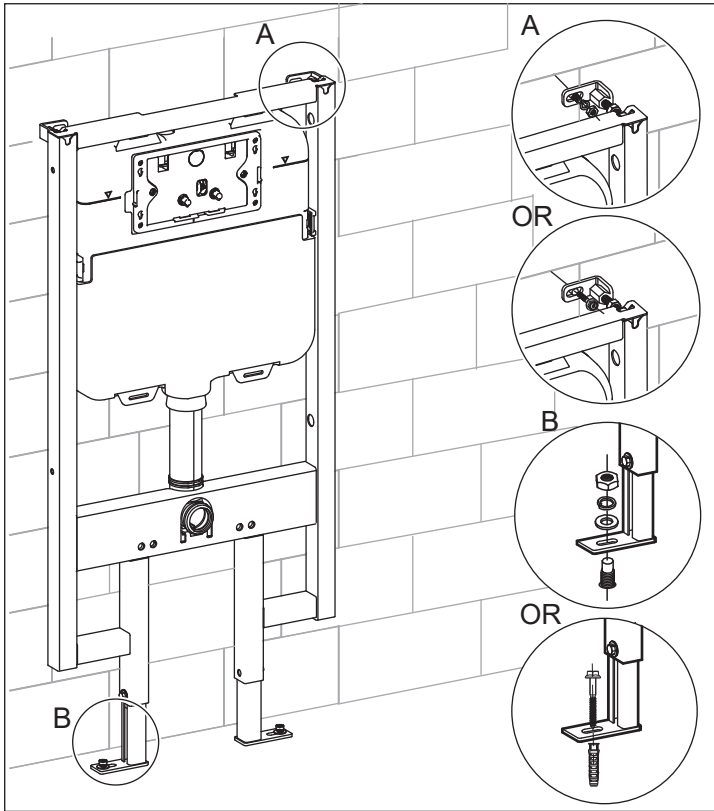
**1.**



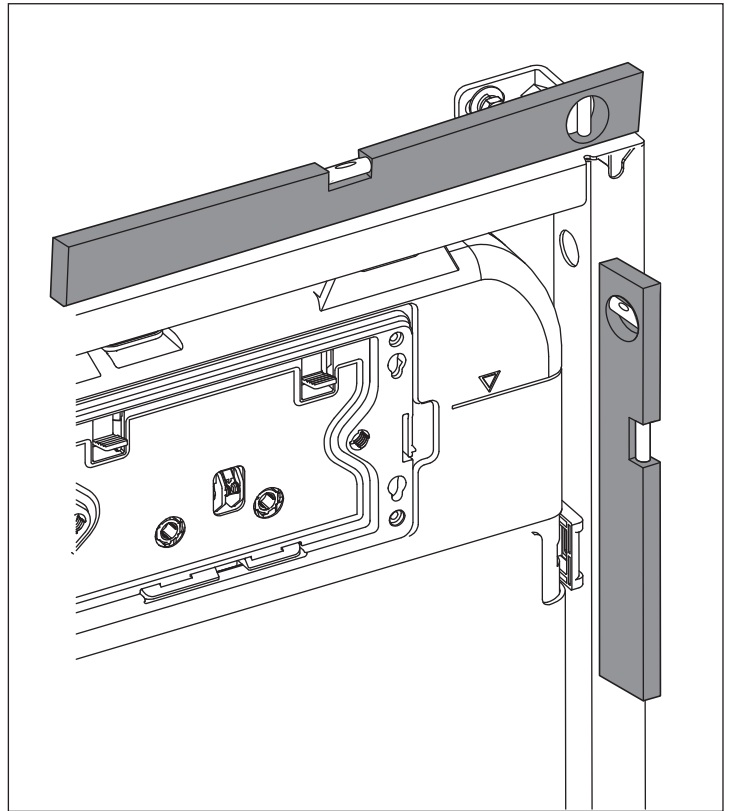
**2.**



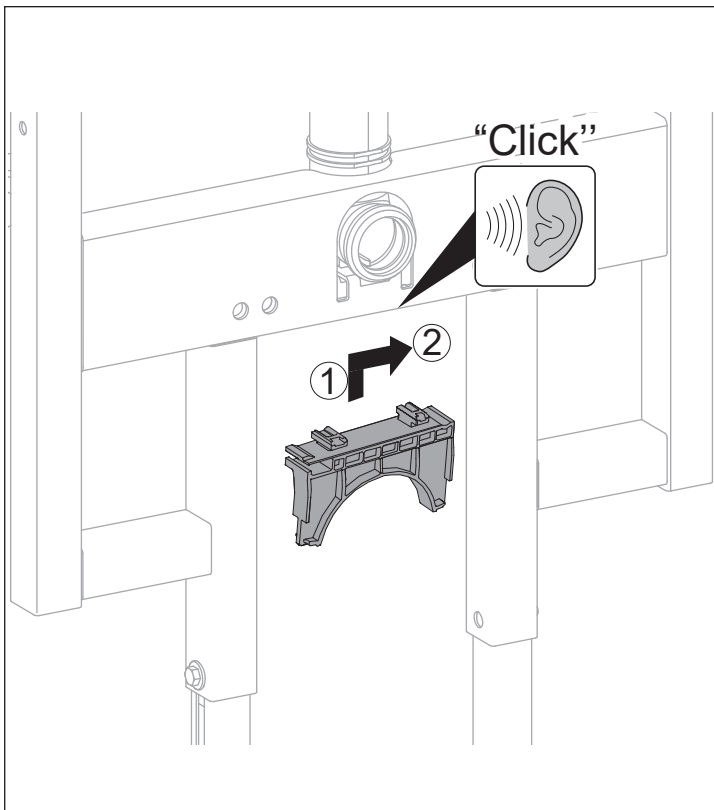
3.



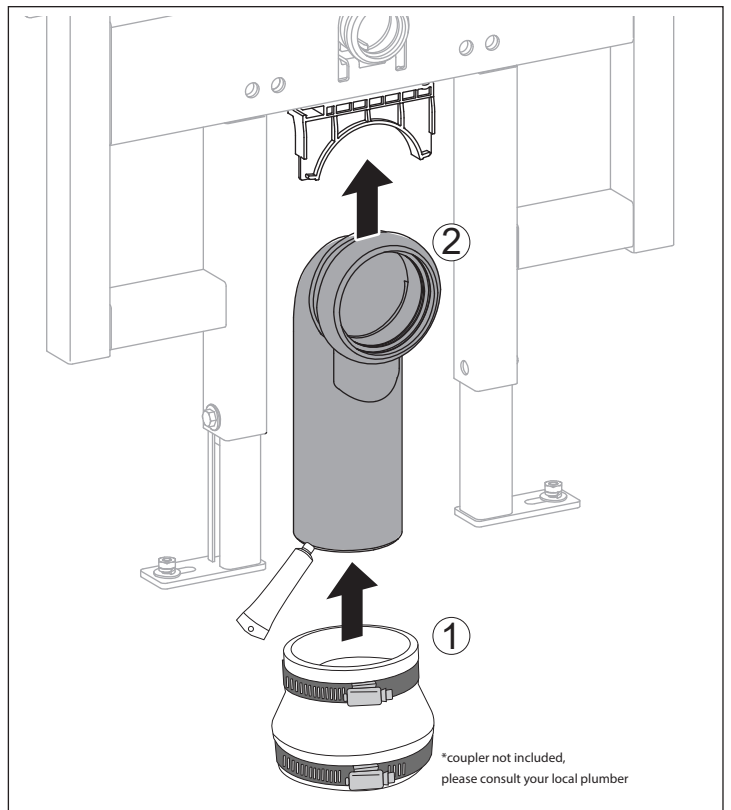
4.



5.

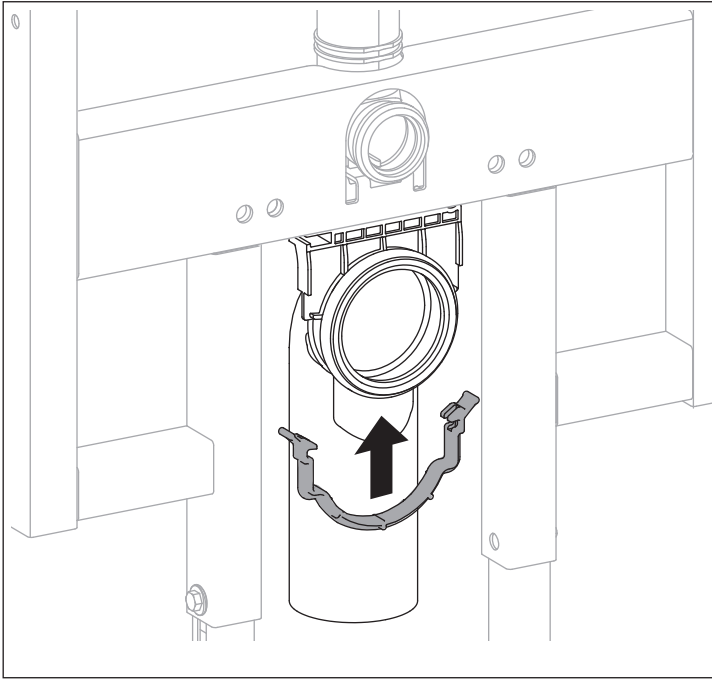


6.

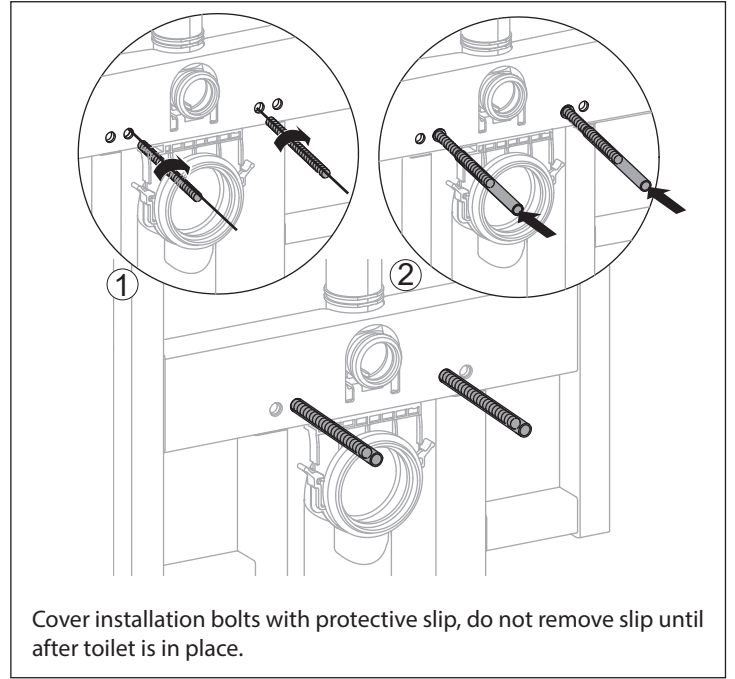


\*coupler not included,  
please consult your local plumber

7.

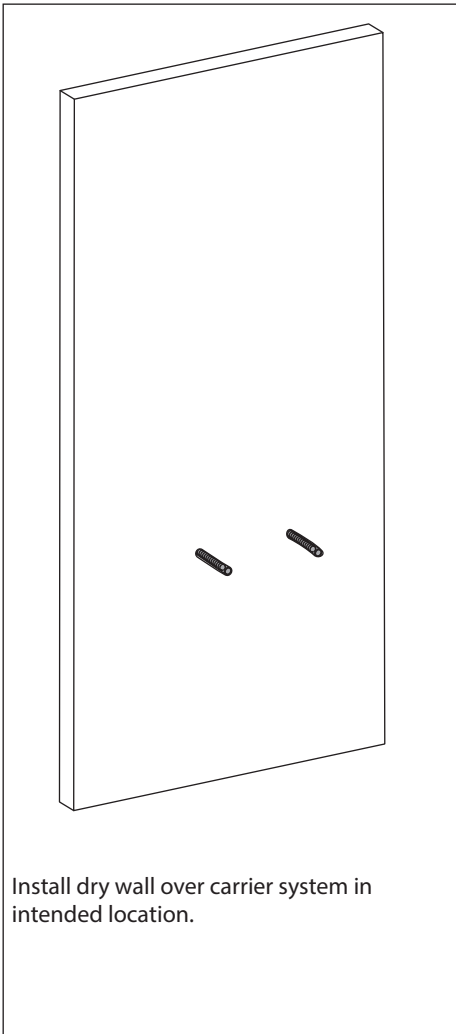


8.



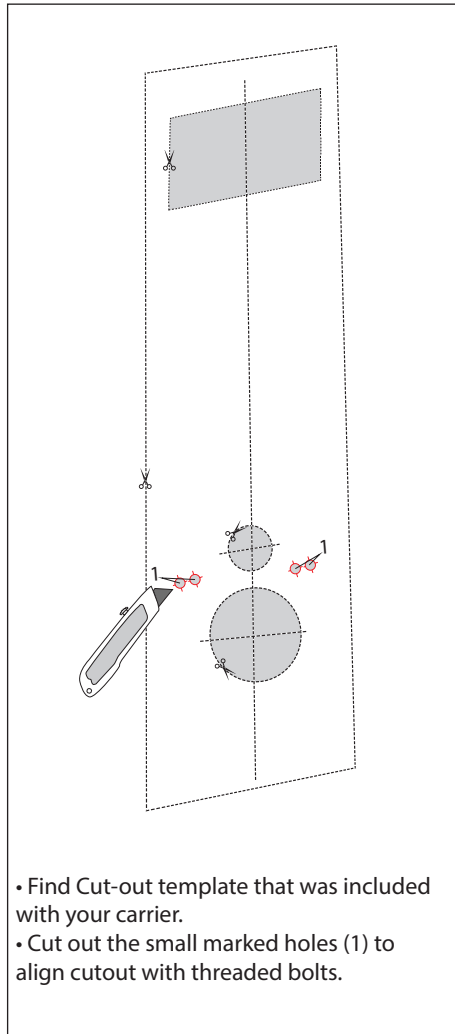
Cover installation bolts with protective slip, do not remove slip until after toilet is in place.

9.



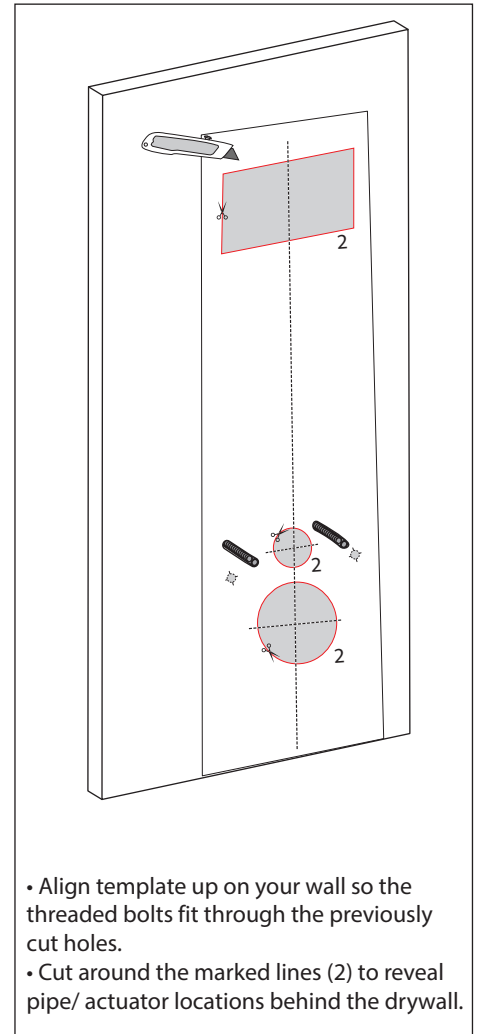
Install dry wall over carrier system in intended location.

10.



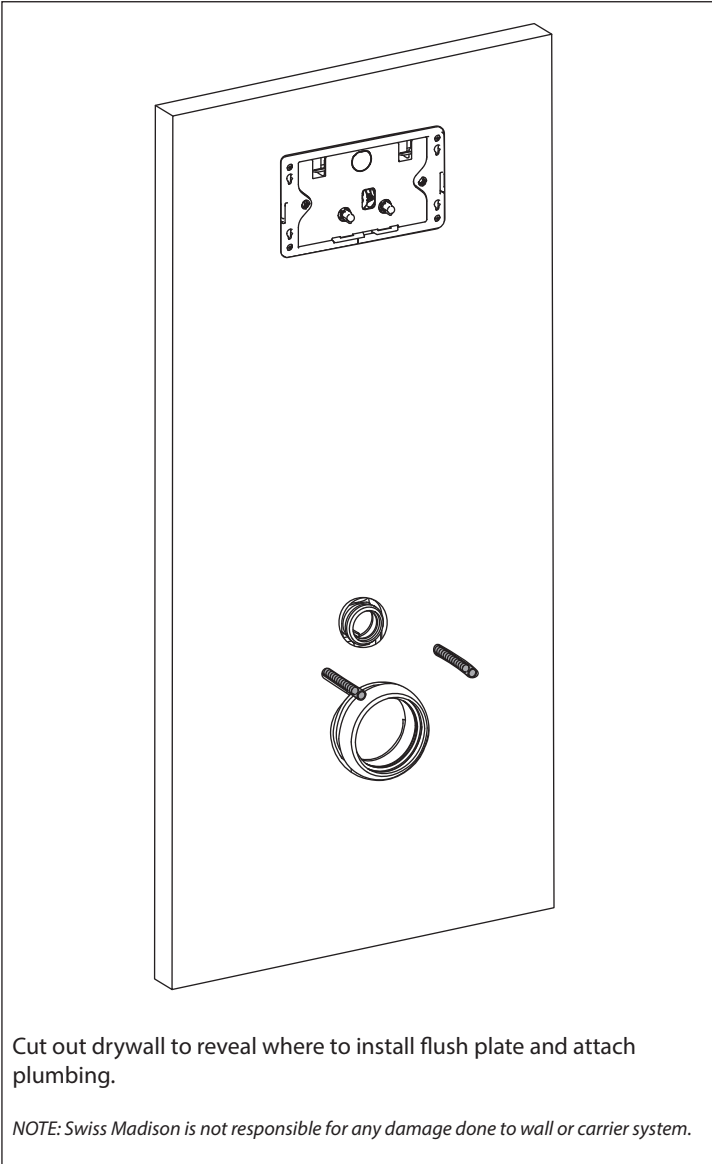
- Find Cut-out template that was included with your carrier.
- Cut out the small marked holes (1) to align cutout with threaded bolts.

11.

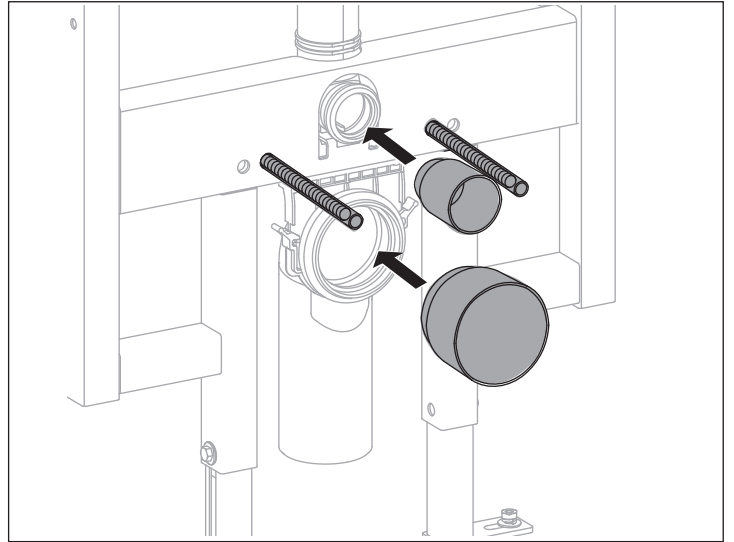


- Align template up on your wall so the threaded bolts fit through the previously cut holes.
- Cut around the marked lines (2) to reveal pipe/ actuator locations behind the drywall.

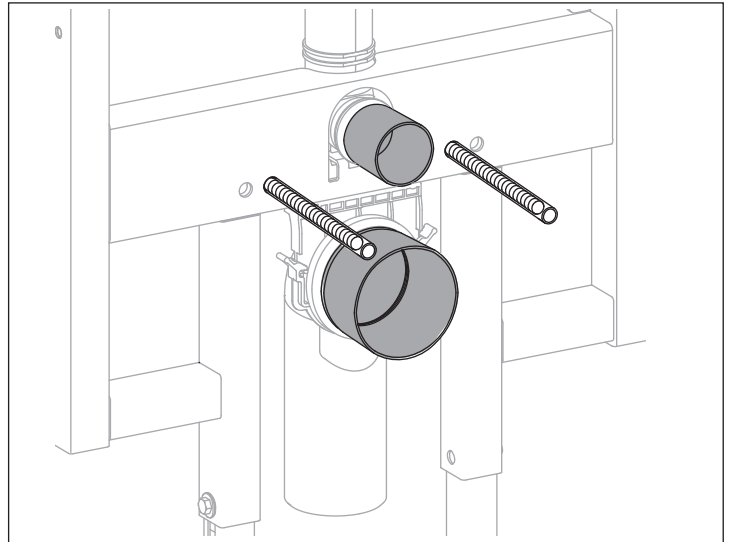
12.



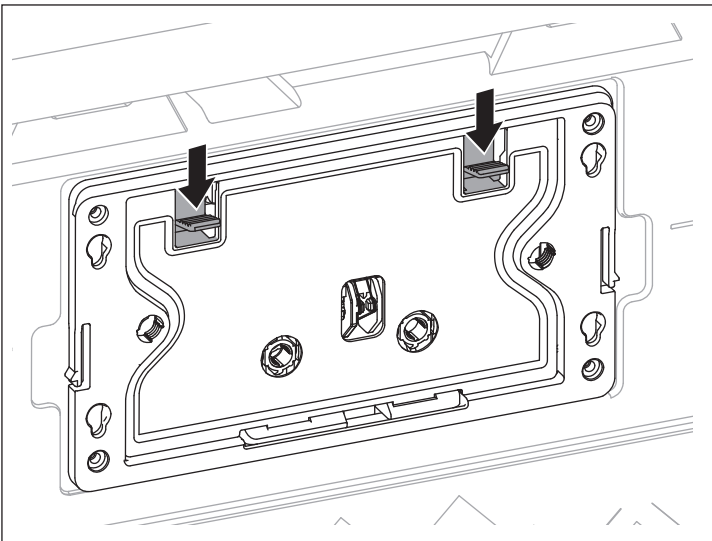
13.



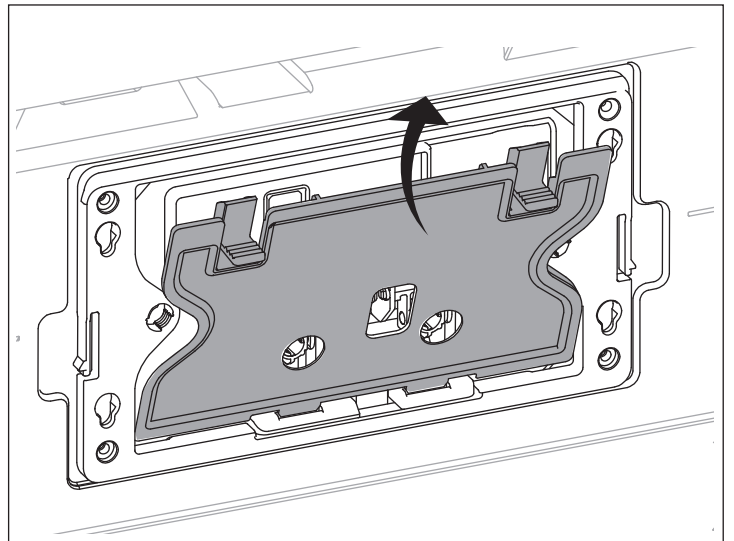
14.



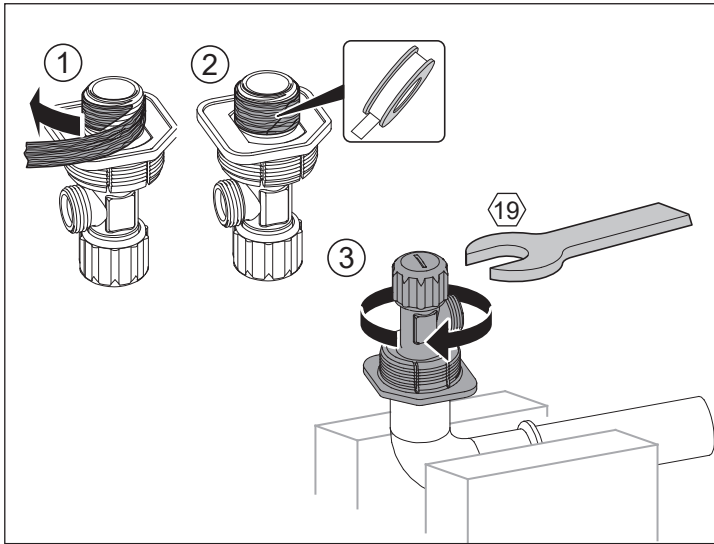
15.



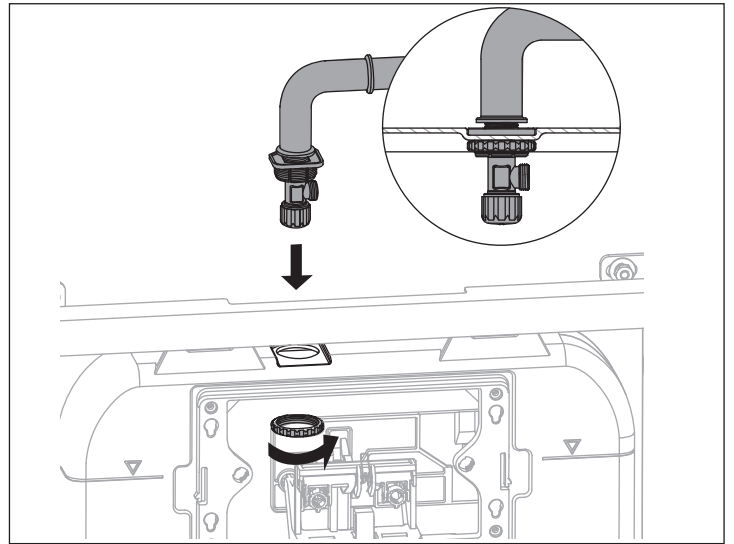
16.



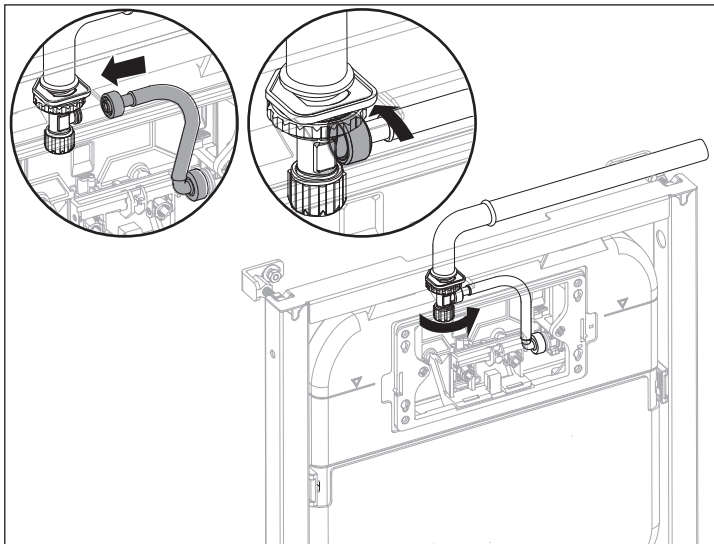
17.



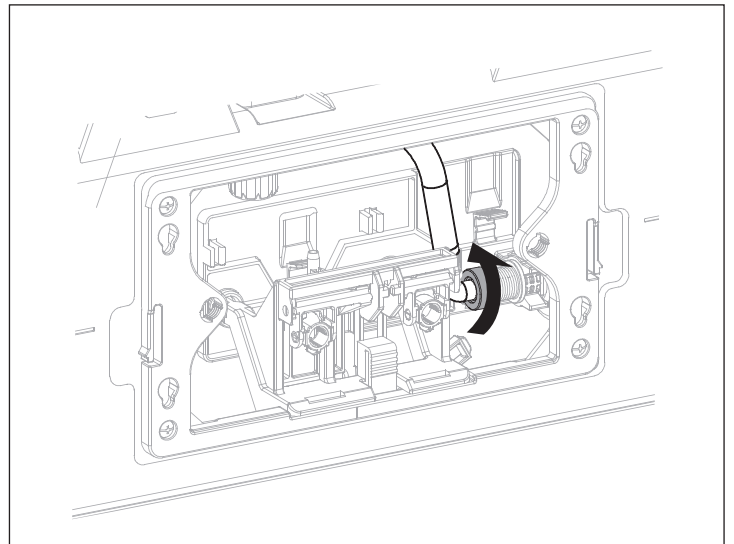
18.



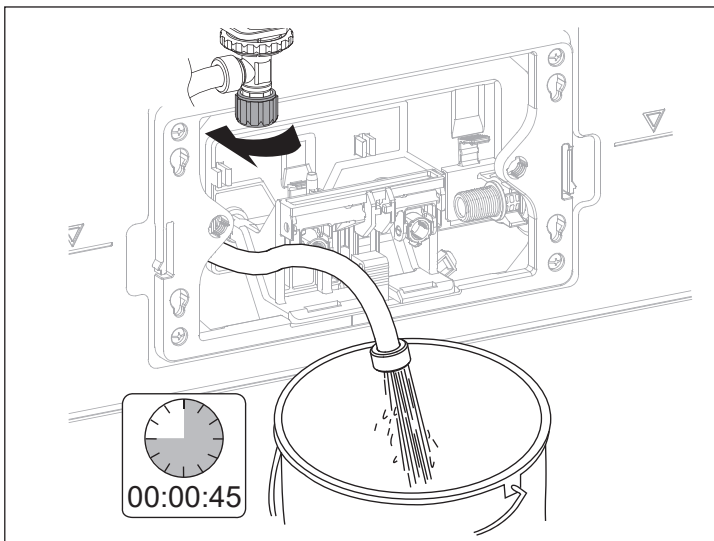
19.



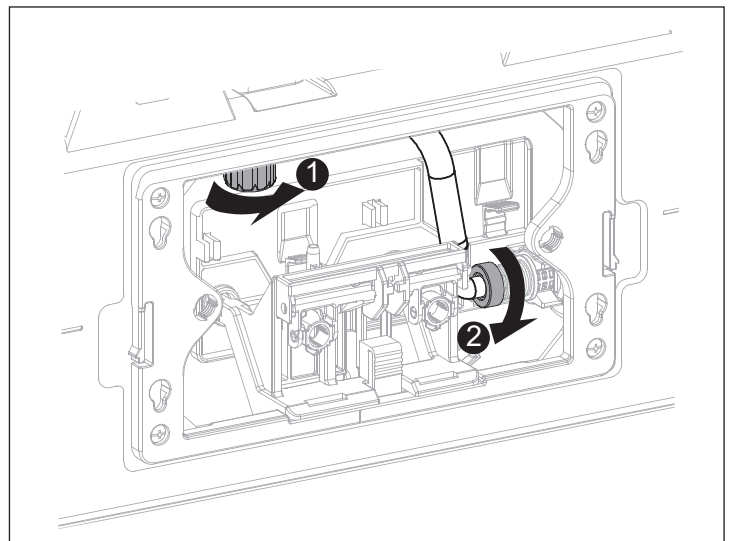
20.



21.

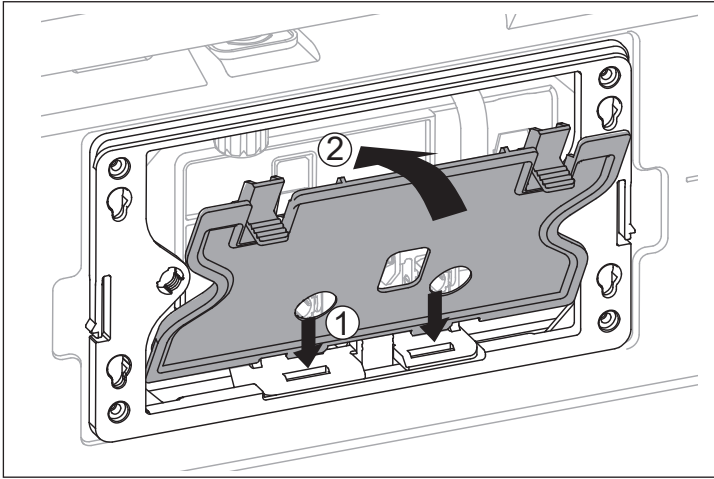


22.

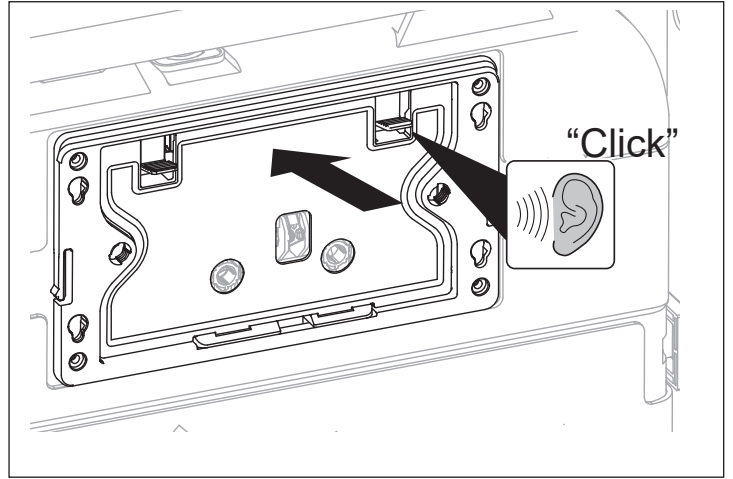




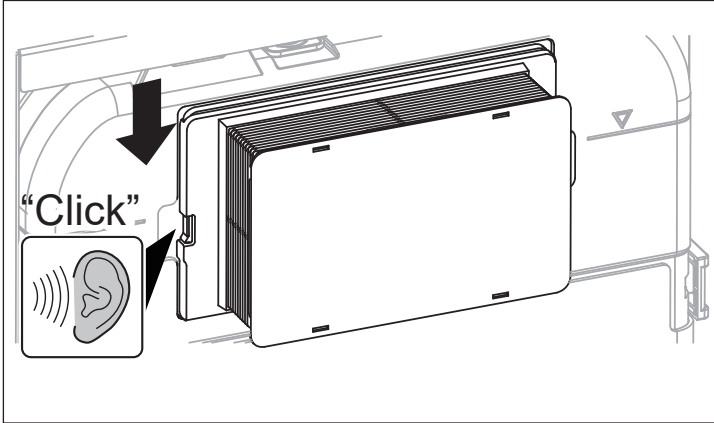
23.



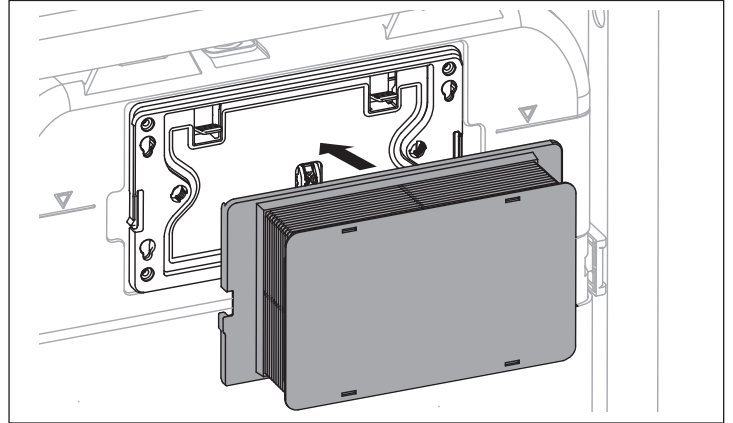
24.



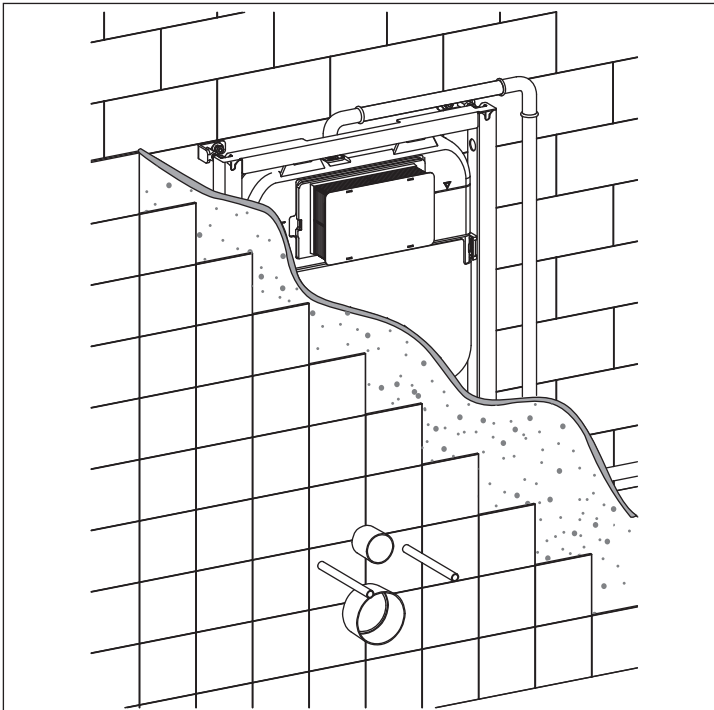
25.



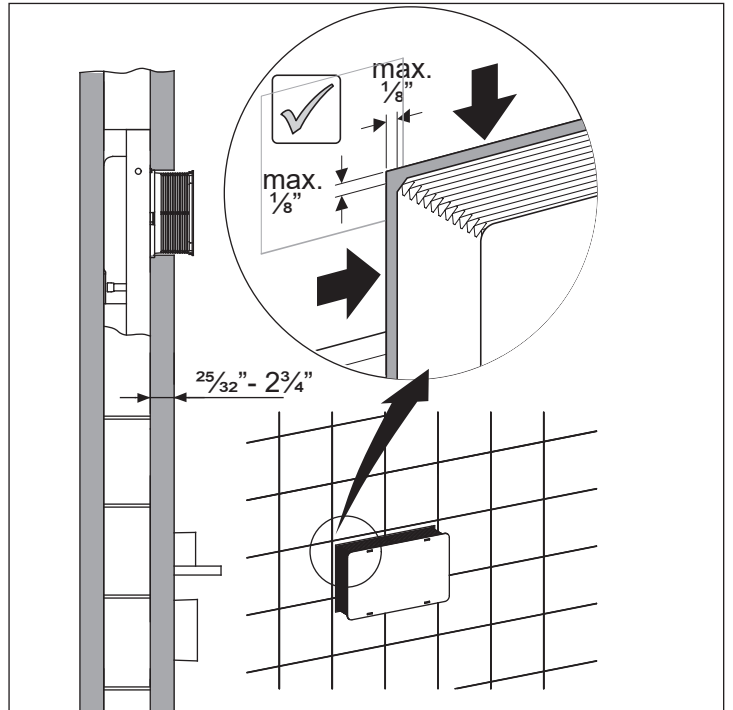
26.



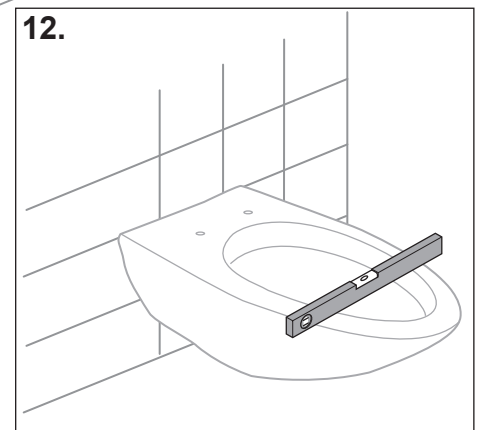
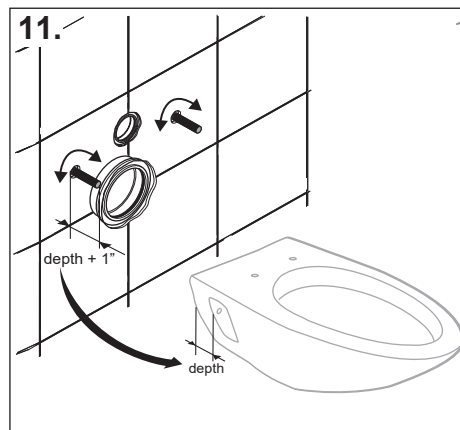
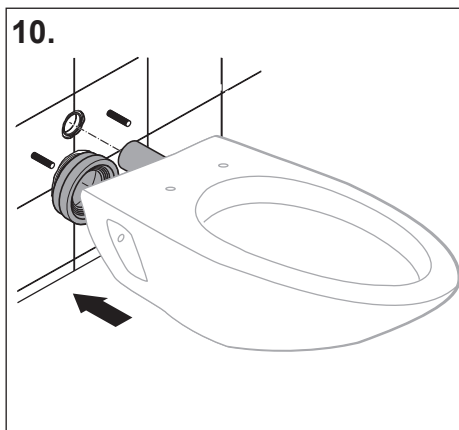
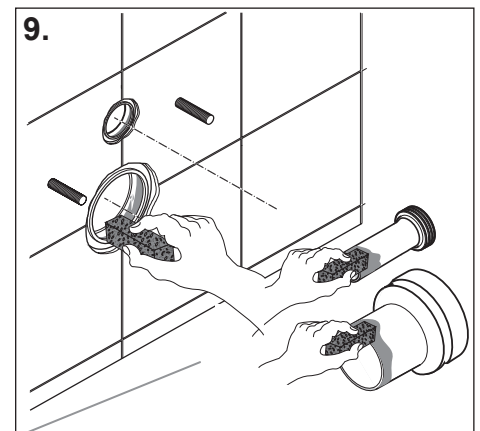
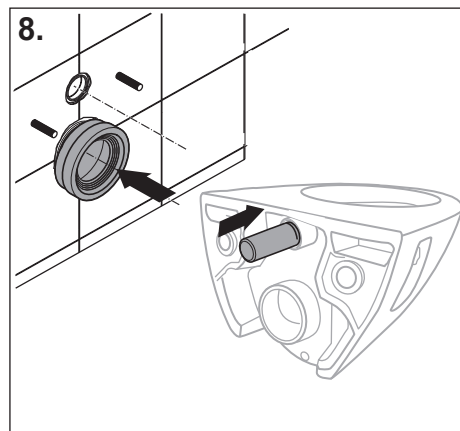
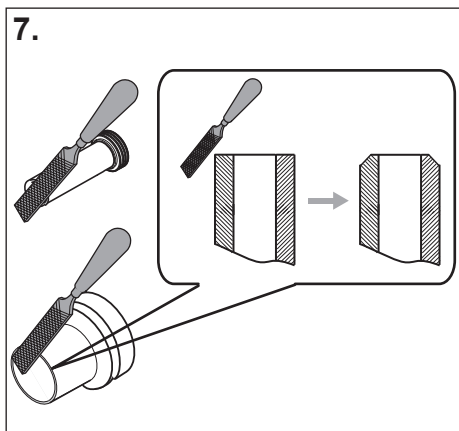
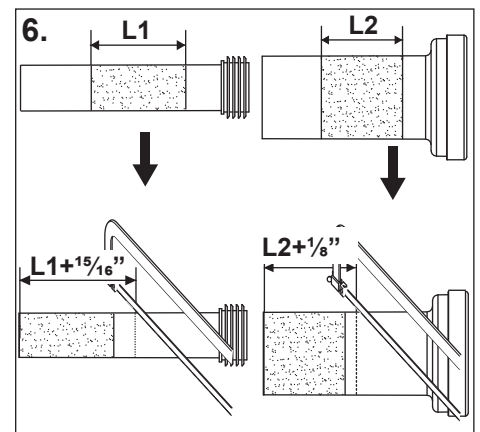
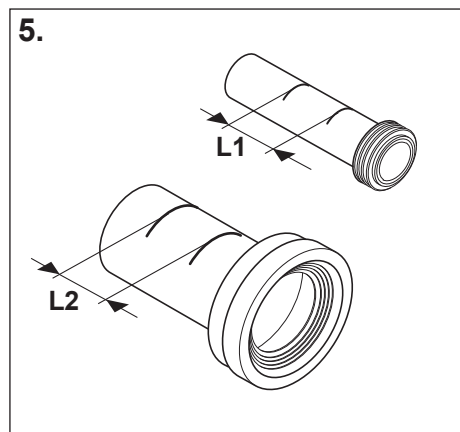
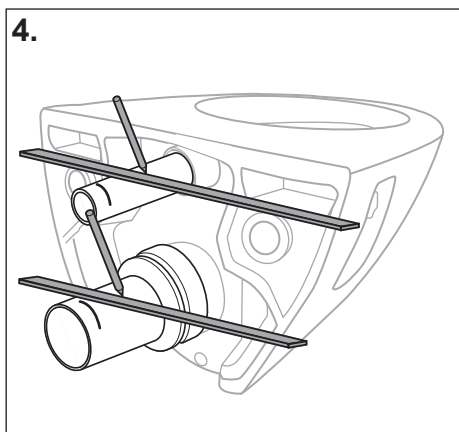
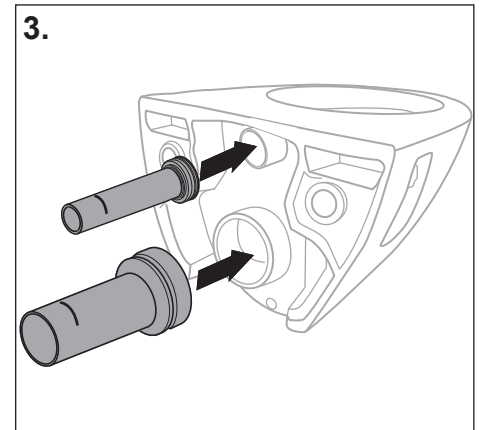
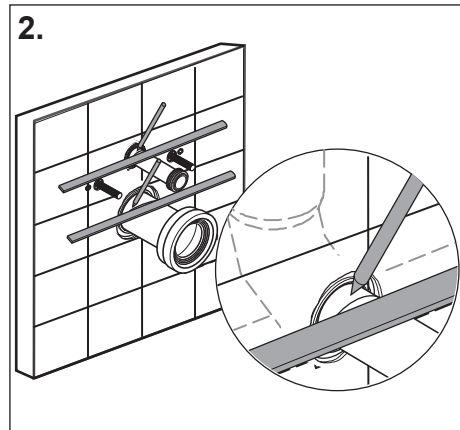
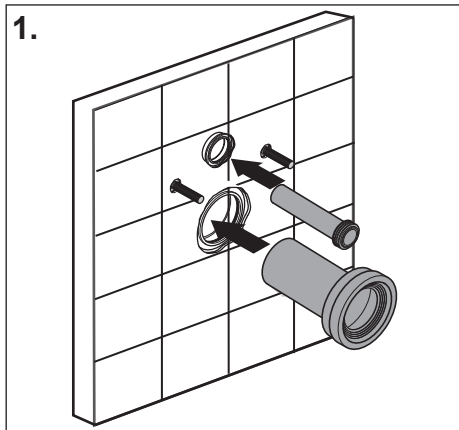
27.



28.



## Installing the Toilet.





## ONE YEAR LIMITED WARRANTY

1-434-MADISON  
(623-4766)  
19 Stults Rd., Dayton, NJ 08810  
[www.swissmadison.com](http://www.swissmadison.com)

Swiss Madison® products are made with quality materials and excellent craftsmanship to provide the customers a long lasting product. In the case of any defects in materials or craftsmanship under regular use were inspected in the first year of purchase, Swiss Madison® will provide replacement parts at no charge, or at its option, replace any product or part of the product that is deemed defective, under normal installation, use, service and maintenance. This warranty applies only to the original purchaser. Proof of purchase will be required in the case of a claim.

Swiss Madison® recommends the installations to be made by a licensed, professional plumber. Swiss Madison® will not be held responsible for any damage or product failure due to improper installation, misuse, or failure to use a licensed professional. Swiss Madison® is not responsible for any removal or installation cost.

This One Year Limited Warranty will be voided if:

- The installation recommendations were not followed.
- The product has been moved from it's initial place of installation.
- The product has been modified.
- The product has been subjected to improper maintenance, abuse, misuse, excessive use of chemicals, accident or other damages.

Swiss Madison® makes no implication that products comply with any or all local building or plumbing codes. It is the consumer's responsibility to determine local code compliance. This warranty extends to the original purchaser and first consumer.

Swiss Madison® is not liable for any incidental, consequential or special damages associated with the return, replacement, installation or use of your product. This includes freight costs, labor, travel time, lost profit, home damages and other contingent liabilities and costs (including, without limitation, costs associated with experts, investigations, analyses, attorneys and other professionals and services).

The Swiss Madison® warranty is a comprehensive and explicit limit of liability, and all items outside of it are not addressable by or the responsibility of Swiss Madison®. Certain states have variances regarding implied warranties and in those situations we remain fully compliant.

In the case of any questions or a claim contact us directly at 1-434-MADISON (623-4766).

**WARNING:** Content may contain sharp and other possibly harmful pieces and may cause hazard to children and adults, Swiss Madison® is not responsible in any way for personal damage.